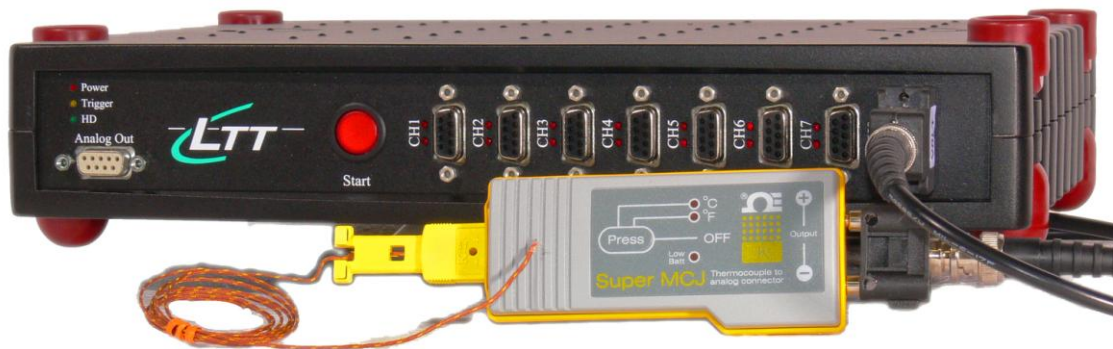


# LTT Tasler Thermo Module

Thermo elements from type J, K and T can be connected with Transient Recorder LTT184 und SensorCorder LTT180.



## Specifications:

Measuring Temperature Range:

Type J: -100 to +750°C

Type K: -100 to +1250°C

Type T: -100 to +350°C

Accuracy @ 24°C Ambient

Temperature Across the Range:

Type J:  $\pm 1.4^{\circ}\text{C}$  ( $\pm 2.5^{\circ}\text{F}$ )

Type K:  $\pm 3^{\circ}\text{C}$  ( $\pm 5^{\circ}\text{F}$ )

Type T:  $\pm 2^{\circ}\text{C}$  ( $\pm 3^{\circ}\text{F}$ )

Output: 1 mV/°F or °C

Input Impedance: 3M $\Omega$

Output Load: 1 K  $\Omega$  min.

Power: One AA size Lithium Battery,

3.6 Vdc, 1900 mAH (included)

Battery Life: 1440 hrs (60 days)  
of continuous operation. (No load)

Low Battery Indication: Red LED

flashes once a second

Response Time:

(0 to 63% of Final value): 150 msec

Operating Temperature:

0 to 50°C

Dimensions:

100 L x 50 W x 25 mm H

Weight: 67 g

